

Features

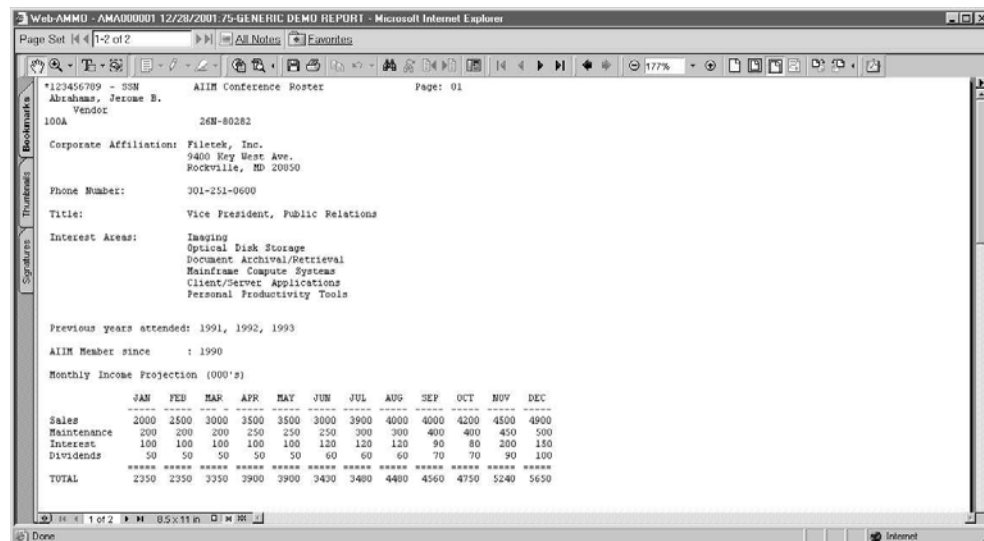
- Retrieval of authorized document selections as a single PDF file
- Use of Adobe Acrobat Reader navigation and viewing tools
- Use of user-intuitive web browser interface
- Central point on mainframe for all system administration
- Support for AFP document displays
- Ability to read attached notes and add new ones

Now AMMO-II™ users can harness the power of distributed document access and viewing over an intranet or the Internet with Web-AMMO™, the newest member of FileTek's AMMO-II family of document viewing software. Web-AMMO makes it easy to retrieve and view all AMMO-II documents using a standard web browser such as Internet Explorer 5.5 or higher and Adobe Acrobat Reader.

Retrieving Data

Web-AMMO users can access and download AMMO-II documents located on host DASD and FileTek's StorHouse® data management system. Document location is transparent. Users simply choose a document name from a scrollable list of pre-authorized documents, dates, and key field values (such as account number). Then, they can drill down document selections by entering up to ten keys (or key ranges), work-of-date ranges, and document versions to quickly access and view the precise information they need.

Web-AMMO End-User Interface



Viewing Data

Web-AMMO assembles and renders all retrieved pages in an authorized document selection as a single PDF document. Users view their PDF document selections with Adobe Acrobat Reader, which provides a full suite of navigation and search tools. For example, users can perform fast content searches across their entire selection, copy text to a clipboard for use in other applications, and save their document selections as separate PDF files. In addition, users can read existing notes and attach new notes to document pages. This feature promotes enterprise-wide viewing consistency, because Web-AMMO, AMMO-II, and LAN-AMMO™ users can all view the same set of annotations.

Benefits

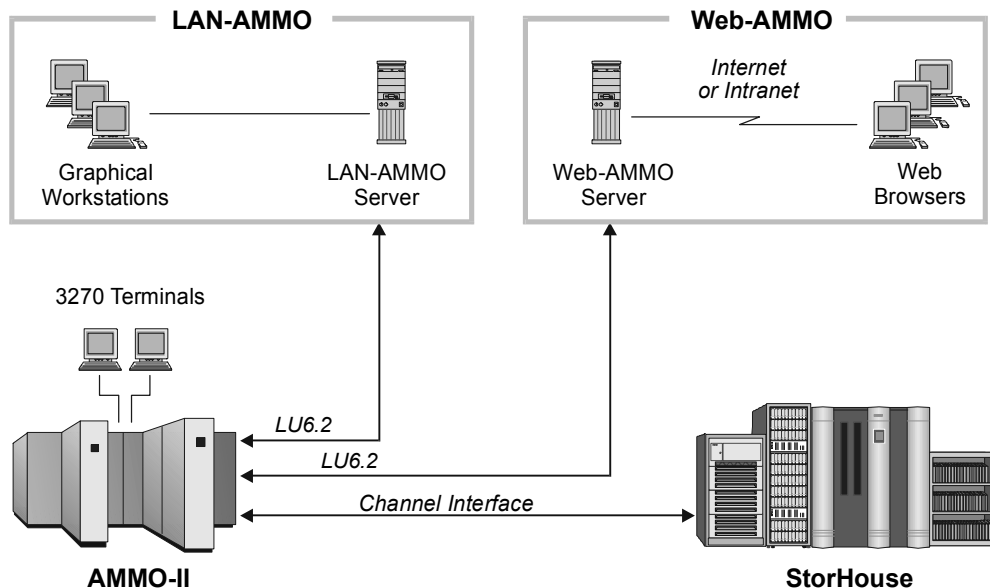
- Eliminates the need for costly end-user training typically required for new graphical interfaces
- Simplifies AMMO-II system administration across the enterprise
- Provides easy access to years of AMMO-II documents from the Internet or a corporate intranet
- Promotes consistency of information across the enterprise
- Enables quick deployment at customer sites
- Supports faster text searches because authorized document selections are retrieved as a single PDF file

Distributed Web-Based Document Viewing

Protecting Data

Web-AMMO has a tiered security system that is enforced by AMMO-II even before Web-AMMO users log in to the system. The AMMO-II system administrator determines access profiles for all Web-AMMO users. These profiles control who can access specific documents, document sections, and document work-of-dates. When users sign on to Web-AMMO, AMMO-II verifies their login IDs at the host level and enforces security according to their predefined access profiles.

The AMMO-II Family of Products



System Requirements for Web-AMMO

- AMMO-II, Release 4.0 or higher

Client System Requirements

- Any web-enabled PC, Macintosh, or workstation
- Internet Explorer 5.5 or higher
- JavaScript and cookies enabled in the browser
- Adobe Acrobat Reader 6.0 or higher
- Screen resolution of 800x600 or higher

Web-AMMO Server System Requirements

- IIS Web Server running Windows 2000/2003 Server and IIS 5.0 or higher



Corporate Headquarters:

FileTek, Inc.
9400 Key West Avenue
Rockville, MD 20850
Phone: 301.251.0600
info@filetek.com
www.filetek.com

International Headquarters:

FileTek Ltd
1 Northumberland Ave.
London WC2N 5BW
Phone: +44 (0) 207.872.5583
intsales@filetek.com
www.filetek.com