

Features

- The capability to view, manipulate, print, and fax character-based, mixed mode, and fully composed AFP document data with true fidelity to the original source document
- A user-friendly WYSIWYG viewing environment, with all the versatility of Microsoft Windows plus the features and functionality of AMMO-II
- Rapid, distributed document access throughout your enterprise
- An enhanced security system that extends document security onto the LAN and protects your data while making it readily available
- An export feature with security for copying document data into word processors and other Windows applications to conveniently create additional reports and spreadsheets
- Local server storage to support remote viewing, provide data redundancy, and lessen the traffic between local viewers and the mainframe
- Comprehensive, context-sensitive on-line help
- 24 by 7 customer support

LAN-AMMO™ is a network-based, client/server document viewing system that brings the power of AMMO-II™* from the mainframe to your local area network (LAN). With LAN-AMMO you can view, print, or fax archived documents, including character-based, mixed-mode, and fully composed AFP, from your Windows-based desktop.

LAN-AMMO includes all the flexibility, power, and security of AMMO-II. You still manage your documents in a mainframe environment and store them on StorHouse®, but now you can view them on Windows-based PCs throughout your enterprise with all visual components, such as overlaid forms and logos, intact. Authorized end-users can access documents directly from the mainframe or from LAN-AMMO servers.

LAN-AMMO provides a flexible, secure, and reliable document viewing and distribution environment where rapid access to a select group of documents is available to assigned groups of end-users. Each group is permitted access, either directly from the mainframe or from a LAN-AMMO server, to a specific set of documents.

LAN-AMMO Software

LAN-AMMO includes administration and end-user viewing software that is simple to install and operate. The administration software lets you group end-users, assign security constraints to these groups, and manage documents on a server basis. Security features control access to these administration functions. The end-user software provides a flexible graphical interface to your authorized documents.

LAN-AMMO administration functions let you:

- Schedule downloads of document and index data from AMMO-II to LAN storage, or perform ad hoc retrievals of documents from your mainframe on a per-page basis, subject to AMMO-II security restrictions
- Delete data stored on the LAN on a scheduled or ad hoc basis
- Select and retrieve documents from the LAN using keys defined in AMMO-II
- Create end-user profiles, groups, and document views from the LAN to maintain local security
- Administer end-user security and privileges

* AMMO-II is FileTek's enterprise-wide storage, retrieval, and viewing software.

Requirements

To run LAN-AMMO, you'll need:

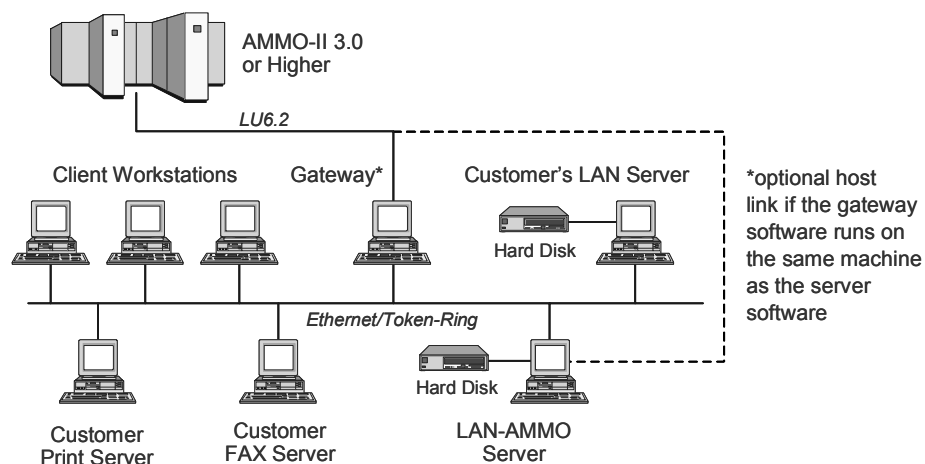
- AMMO-II, release 3.0 or higher
- Client workstations running 32-bit Microsoft Windows software
- At least one distributed LAN-AMMO server running on a supported server platform
- LAN-AMMO gateway software running on a supported gateway platform (the gateway and server software can run on the same machine, or the gateway can run on a separate machine)
- Host communications package (Microsoft SNA Server or Host Integration Package)
- Supported local area network
- Client workstations – Windows NT, 95, 98, ME, 2000, and XP
- Server/gateway platform – Pentium-class platforms with Windows NT, 2000, or 2003
- Networks – Any Winsock-compliant TCP/IP network

A Network-Based Client/Server Extension of AMMO-II

LAN-AMMO end-user functions let you:

- Display document data, including character-based and AFP print streams, in Windows at the LAN workstation
- Search for document pages based on complex key searches within and across documents
- Perform retrievals of documents from your mainframe or LAN-AMMO server on a per-page basis
- Retrieve and create notes related to specific pages
- Zoom or rotate the display
- Color text, lock rows and columns, and cut and paste within a document or between a document and other Windows programs
- View data from multiple documents simultaneously
- Print and fax documents on the LAN or print through AMMO-II

System Configuration



FileTek

Corporate Headquarters:

FileTek, Inc.
9400 Key West Avenue
Rockville, MD 20850
Phone: 301.251.0600
info@filetek.com
www.filetek.com

International Headquarters:

FileTek UK Limited
1 Northumberland Ave.
London WC2N 5BW
Phone: +44 (0) 207.872.5583
intsales@filetek.com
www.filetek.com

You can expand your LAN-AMMO configuration by adding more servers to meet increased processing needs.

For More Information

For more information about how LAN-AMMO can bring critical enterprise AMMO-II documents to your desktop, contact your FileTek sales representative, or e-mail FileTek at info@filetek.com.

© 2004 FileTek, Inc. All rights reserved. FileTek and StorHouse are U.S. registered trademarks of FileTek, Inc. AMMO-II and LAN-AMMO are U.S. trademarks of FileTek, Inc. Other trademarks included herein are the property of their respective owners. The following U.S. patents protect StorHouse: 4,864,572; 5,247,660; 5,727,197; 6,049,804.